



"innovation in its most functional form"

PRODUCT DATA SHEET



HP550D

HYDRAULIC TWIN PORT SEALED HAND PUMP

PRESSURE RATING:

1st STAGE: 13.8 bar (197 psi)

2nd STAGE: 700 bar (10,000 psi)

CAPACITY: 550cc

TOOL WEIGHT = 6kg (13.2 lbs)

KIT COMPONENTS

- 1 x HP550D Pump Unit
 - 2 x 0-1000 bar (0-15,000 psi) Gauge
 - 2 x 3/8" Port Gauge Adaptor
 - 1 x Instruction Manual
 - 1 x Cardboard Packaging
- Product Code: HP550DMIN



MODEL	HP550D	
PUMP TYPE	TWO SPEED	
PRESSURE RATING (bar/psi)	1ST STAGE	13.8 (197)
	2ND STAGE	700 (10,000)
USABLE OIL CAPACITY (cc/in ³)	550.0 (30.51)	
OIL VOLUME PER STROKE (cc/in ³)	1ST STAGE	3.62 (0.221)
	2ND STAGE	0.77 (0.046)
MAX HANDLE EFFORT (kg/lb)	25 (55.12)	
PISTON STROKE (mm/in)	18.0 (0.71)	

TOOL DESCRIPTION

The HP550D hydraulic hand pump unit is tailored for use with Equalizer International hydraulic equipment. Its output is regulated to 700 bar (10,000 psi) and is delivered from an output port threaded 3/8" NPT. The pump can be used with any 700 bar (10,000 psi) rated hydraulic equipment with an oil capacity of 550cc (30.51 in³) or less. The diaphragm oil reservoir means that, unlike conventional hand pump units, the HP550D is operable at all angles and is highly resistant to accidental spillage of hydraulic fluid. For further details please request an instruction manual.

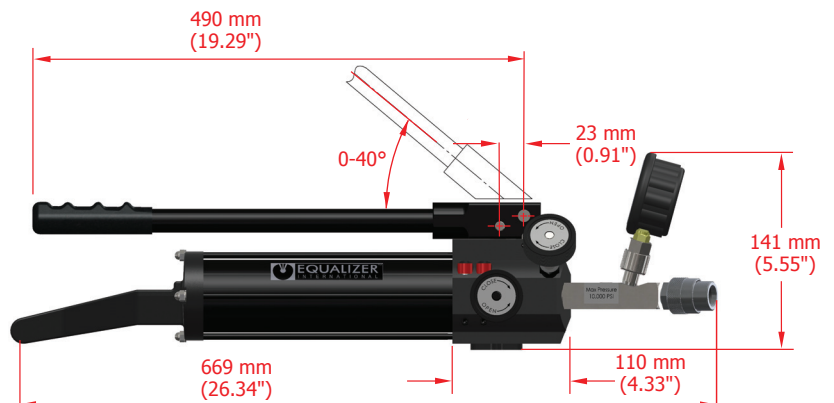
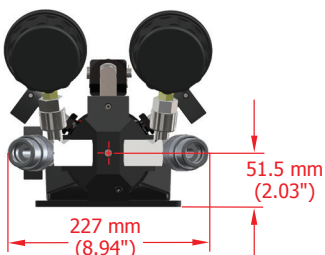
WEIGHTS AND DIMENSIONS

Tool Only = 6 kg (13.2 lbs)

GROSS KIT WEIGHT = 6.5 kg (14.3 lbs)

Packaging Dimensions:

250 x 180 x 700 mm (9.84" x 7.09" x 27.56")



info@equalizerinternational.com
www.equalizerinternational.com

HP550D

HYDRAULIC TWIN PORT

SEALED HAND PUMP



"innovation in its most functional form"

RANGE OF APPLICATION

All hydraulic equipment with an oil capacity of 550cc (30.51 in³) or less and an operating pressure of 10,000 psi (700 bar)

PARTS LIST AND EXPLODED DRAWING

ITEM	PART No.	DESCRIPTION	KIT QUANTITY	PUMP QUANTITY
01	720101-01	PUMP HOUSING		01
02	710601-01	RESERVOIR		01
	715300-01	SERVICE KIT C:		
03		- O-RING	01	01
04		- BACK-UP RING	01	01
05		- H.P. PISTON	01	01
06		- SNAP RING	01	01
07		- O-RING	01	01
08		- BACK-UP RING	01	01
09		- L.P. PISTON	01	01
	715500-01	SERVICE KIT E:		
10		- YOKE BASE	01	01
11		- SPRING PIN	01	01
	715600-01	SERVICE KIT F:		
12		- RELEASE VALVE SCREW	01	01
13		- WASHER	01	01
14		- SEAL	01	01
15		- RELEASE KNOB	01	01
16		- SCREW	01	01
17		- COUPLERS	01	01
18		- CHECK BALL	01	01
	715700-01	SERVICE KIT G:		
19		- SPRING	02	02
20		- STEEL BALL	02	02
21		- OUTLET BALL SPRING	02	02
22		- COPPER WASHER	02	02
23		- VALVE COVER SCREW	02	02
24		- STEEL BALL	02	02
	715800-01	SERVICE KIT H:		
25		- STEEL BALL	01	01
26		- SPRING END CAP	01	01
27		- L.P. SPRING	01	01
28		- O-RING	02	02
29		- OVERLOAD COVER SCREW	01	01
30		- CAP	02	02
31		- OVERLOAD COVER SCREW	01	01
32		- CONE SEAT	01	01
33		- CONE	01	01
34		- LONG SEPARATOR SPRING	01	01
	715900-01	SERVICE KIT I:		
35		- BASE PLATE	01	01
36		- SCREW	02	02
	726000-01	SERVICE KIT J:		
37		- VALVE SCREW	01	02
38		- BACK-UP RING	01	02
39		- O-RING	01	02
15		- RELEASE KNOB	01	02
16		- SCREW	01	02
17		- COUPLERS	01	02
	716100-01	SERVICE KIT K:		
40		- SCREW	04	04
41		- SCREW	01	01
18		- CHECK BALL	04	04
57		- SCREW	01	01
	716200-01	SERVICE KIT L:		
42		- GAUGE COUPLER MALE	01	02
43		- GAUGE	01	02

ITEM	PART No.	DESCRIPTION	KIT QUANTITY	PUMP QUANTITY
44	716300-01	SERVICE KIT M:		
		- PORT GAUGE ADAPTOR	01	02
45		- GAUGE COUPLER FEMALE	01	02
46		- COUPLER	01	02
	735100-01	SERVICE KIT N:		
47		- RESERVOIR BLADDER	01	01
48		- OIL FILTER	01	01
49		- O-RING	01	01
50		- REFILLING PLUG	01	01
	735300-01	SERVICE KIT O:		
51		- HANDLE	01	01
52		- HANDLE GRIP	01	01
53		- YOKE	01	01
54		- PISTON PIN	01	01
55		- YOKE PIN	01	01
56		- RETAINING RING	01	01
57		- SCREW	01	01
	735200-01	SERVICE KIT P:		
58		- SCREW	04	04
59		- TAIL BASE	01	01
60		- SPRING WASHER	04	04
61		- NUT	04	04

