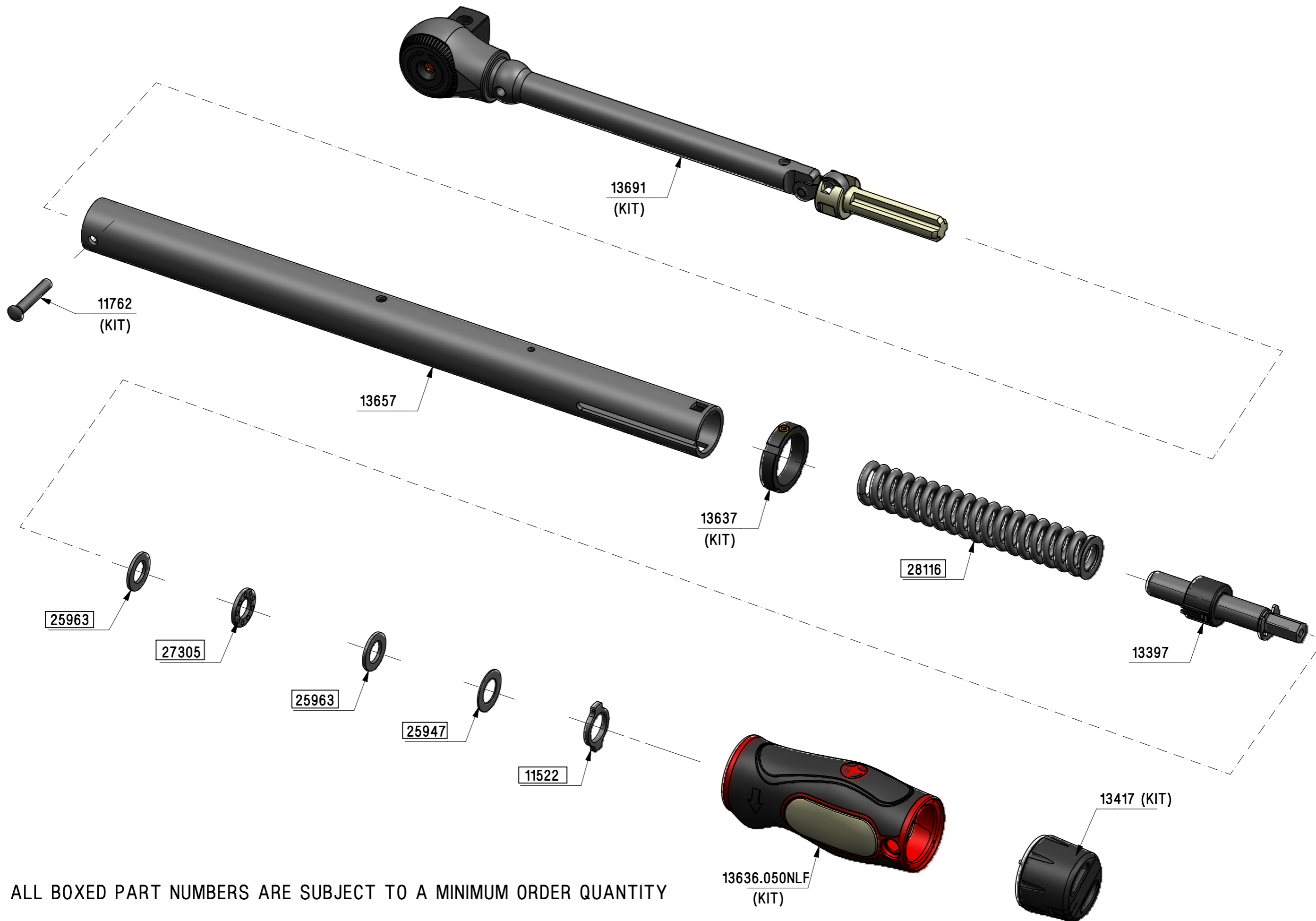


13659 – TW TTi 50 1/2” SQ. DRIVE – SPARES LISTING



ALL BOXED PART NUMBERS ARE SUBJECT TO A MINIMUM ORDER QUANTITY