

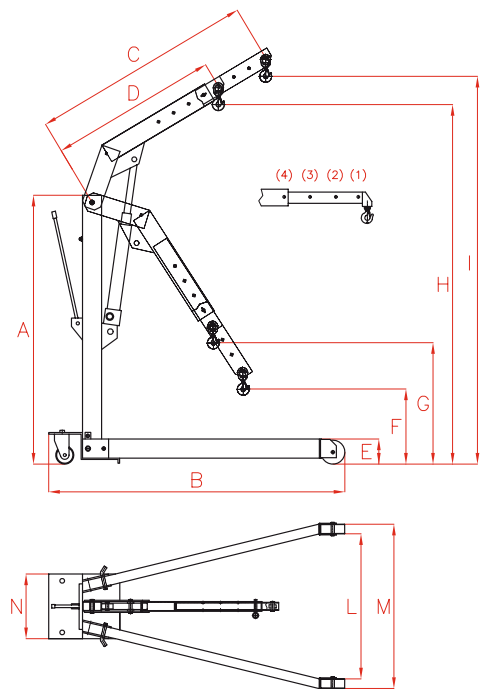
**PORTABLE HYDRAULIC CRANES**



Model	4 / 3 / 2 / 1 Jib position
LARZEP	kg
DLG005	500 - 400 - 350 - 250
DLG010	1.000 - 800 - 600 - 300
DLG020	2.000 - 1.800 - 1.700 - 1.600

**LARZEP advantages**

- From 500 to 2.000 kg lifting capacity.
- Heavy duty wheels and swivel rear castor for easy movement.
- Exceptionally versatile due to their compact dimensions when folded up.
- Fitted with a safety relief valve to prevent overloading.
- All models are fitted with an extendable jib to increase reach.
- Special lowering valve in all models for safer and better control of descent. If the knob is released accidentally, the arm stops.



Capacity	Model	A	B	C	D	E	F	G	H	I	L	M	N	Weight
kg	LARZEP	mm	mm	mm	mm	mm	mm	mm	mm	mm	mm	mm	mm	kg
500	DLG005	1.540	1.530	1.320	1.010	143	100	400	2.040	2.190	730	860	430	83
1.000	DLG010	1.560	1.600	1.300	1.000	170	110	400	2.240	2.420	880	1.000	540	99
2.000	DLG020	1.700	2.000	1.540	1.240	200	0	300	2.520	2.770	1.055	1.220	620	175